

- **Magnetic-inductive principle of measurement**
- **Maintenance free and chemical resistant flow measurement**
- **Stainless steel housing**
- **Pulse/frequency output for flow measurement**
- **Status output for system and process messages**
- **Adjustable pulse valence**
- **Compatible to P3 products**



The special developed magnetic-inductive flow meter **Dosimag** is particularly suitable for the measurement of dynamic processes in a pipe e.g. measuring after dosing pumps, pulsatory flows as well as start stop measurements in the bottle filling industry.

With **Dosimag** flow meters liquids with the following minimum conductivity can be measured:

- 20 µS/cm for demineralised water
- 5 µS/cm for liquids as a whole

To that belong different kinds of detergents, liquid products as well as liquid food. A self control of the measurement system takes care for highest operation security.

The following demands are fulfilled by the magnetic-inductive flow meter **Dosimag**:

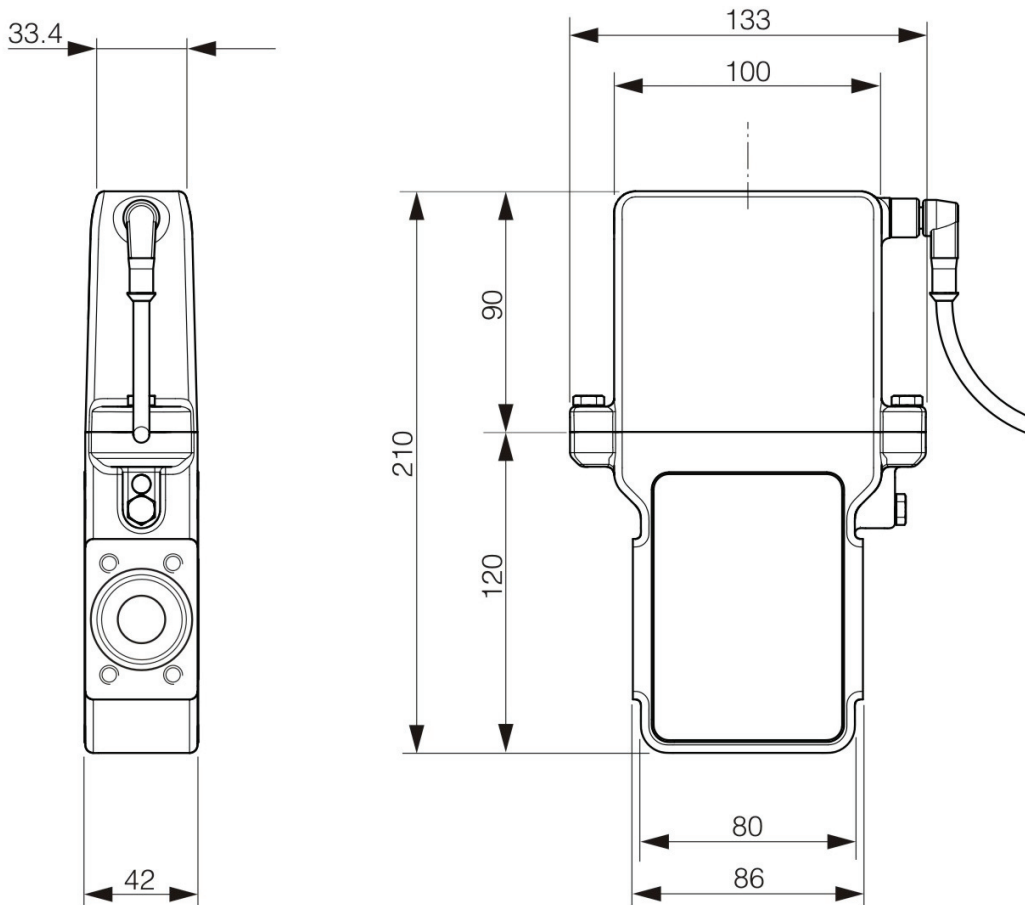
- Short dosing times
- High reproducibility
- Simple cleaning
- Compact shape
- Easy assembly

Operation and parameterisation is carried out with the „FieldTool“ program and the PC interface Commubox FXA 193.

Technical data:

Housing material	1.4308	Cable inlet	8-pin M12 plug for auxiliary power and signal outputs
Safety type	IP 67/NEMA 4X	Minimum conductivity	5 µS/cm
Ambient temperature	-20° C... +60° C	Media temperature	-20° C ... +130° C
Auxiliary power	24 V DC nominal voltage (20 to 30 V DC)	Possible to clean with CIP (pay attention to max. temp.)	yes
Power consumption:	< 6 W	Nominal width DN	4 mm / 8 mm / 15 mm
Pulse-/ frequency output	passive, open emitter U _{max} = 30 V DC I _{max} = 25 mA	Nominal pressure	16 bar
Status output	U _{max} = 30 V DC, I _{max} = 25 mA system and process error messages	Material measure- and reference electrode	standard: 1.4453 option: Alloy C-22
		Weight	approx. 2.8 kg

Dimensions:



Ordering data:



Article

Magnetic inductive flow meter Dosimag 5BH

Flanges are not included in delivery.

DN 04, 1.4435 / PFA, 0,1 l/pulse

DN 04, ALLOY C-22 / PFA, 0,1 l/pulse

DN 08, 1.4435 / PFA, 1 l/pulse

DN 08, ALLOY C-22 / PFA, 1 l/pulse

DN 15, 1.4435 / PFA, 1 l/pulse

DN 15, ALLOY C-22 / PFA, 1 l/pulse

Material No.

418873052

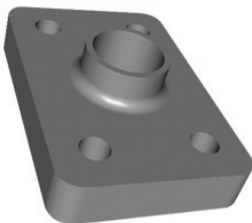
418873053

418873054

418873055

418873056

418873057



Connecting set, 1.4404

consisting of:

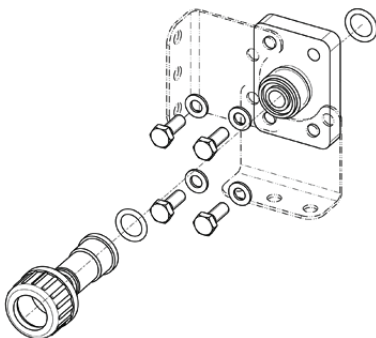
each with 2 flanges (see ill.) and 2 reducers,
hexagon screw and EPDM sealing
(Viton-sealings on request)

for DN 4 – 8

288571

for DN 15

288572



Connecting set for DN 4, 5/8"

incl. EPDM and Viton B sealings

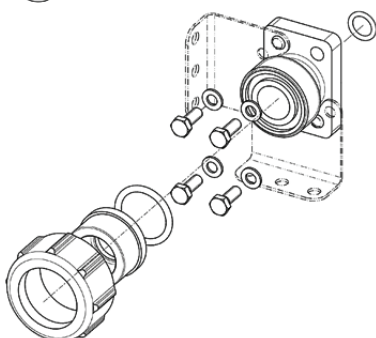
Flange and insertion part material:

PP

288573

PVDF

288576



Connecting set for DN 8, 1 1/4"

incl. EPDM and Viton B sealings

Flange and insertion part material:

PP

288574

PVDF

288577

Connecting set for DN 15, 1 1/4"

incl. EPDM and Viton B sealings

Flange and insertion part material:

PP

288575

PVDF

288578

	Article	Material No.
	<p>Angle support 1.4301 for Dosimag 5BH</p>	<p>38855501</p>
	<p>Connection cable M12, 8-pole with circular plug-in connector M12</p> <p>Length: 1.5 m Length: 7.5 m</p>	<p>418439024 418439023</p>
	<p>Circular plug-in connector 8-pole RKC 8/9 M12 screw coupling, straight</p>	<p>418463151</p>
	<p>Circular plug-in connector 8-pole RKCW 8/9 M12 screw coupling, bent</p>	<p>418463152</p>
	<p>Adapter cable Cable with plug connecting Dosimag 5BH and Dosimag A</p>	<p>288583</p>
	<p>Commubox FXA 193 Service tool for parameterisation of the Dosimag</p>	<p>on request</p>
	<p>Service program „FieldTool“ Software</p>	<p>on request</p>