

- For quantity-proportional metering in water post-treatment technology, tested by DVGW (German assoc. of gas and water experts)
- With contact water meter as proportional pulse generator
- With silent, electric motor driven diaphragm pump
- Benefits of the EMP E60 pump
 - Graphic display with user-friendly menu navigation
 - Metering monitoring via stroke signal output
 - Extensible functions via access code (pulse multiplication, pulse division, registration of operating and consumption data, calibration function)



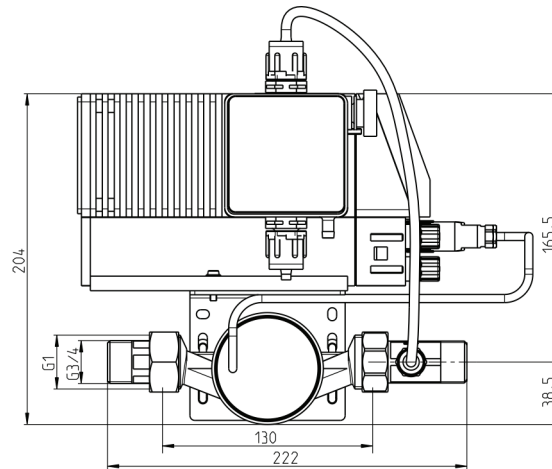
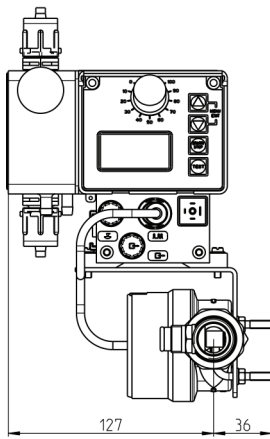
The ELADOS® EMP compact metering devices are appliances designed for the posttreatment of potable water. They consist of contact water meter including metering valve and metering pump. The concentration needed may be selected via the metering pumps mechanical stroke adjustment

function. By coordinating the components of the EMP-program it is possible to combine compact metering devices for several applications, thus reaching delivery capacities between 0.2 l/h and over 750 l/h with nominal diameters (DN) between 20 and 150.

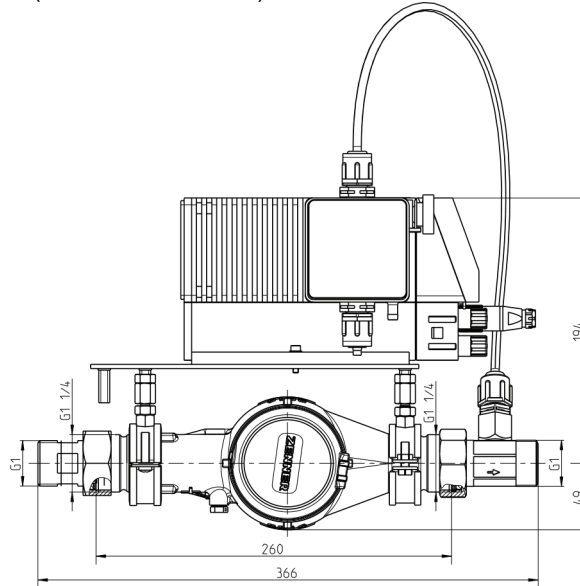
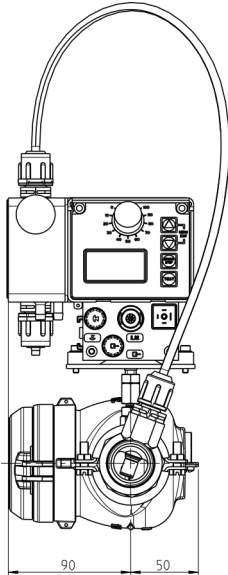
Technical data:

Material no.	141277	141278	141279
Nominal diameter (mm):	DN 20 / R 3/4	DN 25 / R 1	DN 40 R 1½
Nominal flow (m³/h):	2,5	6	10
Pump metering capacity (l/h):	1,4	1,4	2,5
Max. metering capacity. (cm³/pulse):	0,21	0,21	0,39
Max. metering back pressure (bar):	10	10	10
Pulse interval (l/pulse):	1	1	2
Max. concentration (ppm):	100	100	100
Connection thread G:	R 1	R 1 1/4	R 2
Electric connection (V/Hz):	230 (50/60)	230 (50/60)	230 (50/60)
Power input (W):	10,4	10,4	10,4
Protection type:	IP 65	IP 65	IP 65

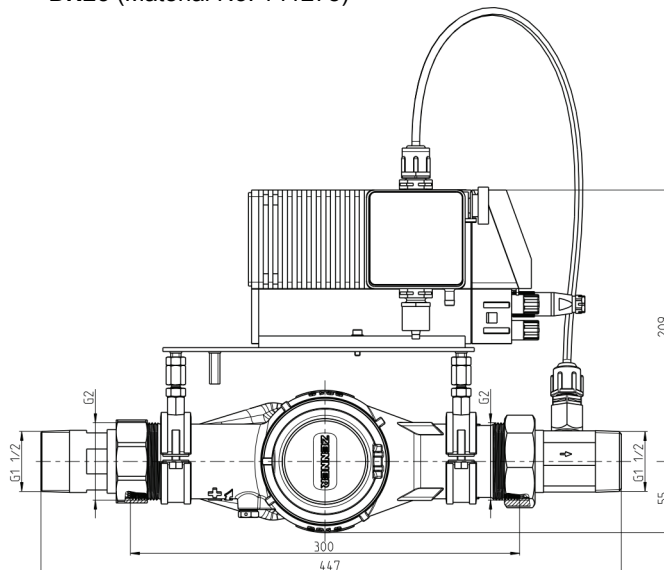
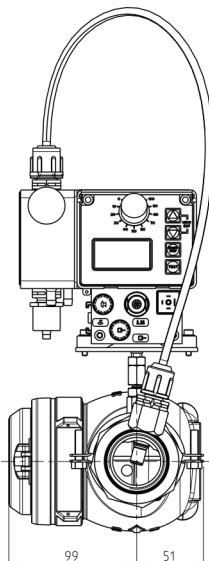
Dimensions:



DN20 (Material No. 141277)



DN25 (Material No. 141278)



DN40 (Material No. 141279)



Material No.	141277	141278	141279
Nominal width (mm):	DN 20 / R 3/4	DN 25 / R 1	DN 40 R 1½
Length L (mm) without screw connection:	130	260	300
Length L1 (mm) (overall length)	222	365	447
Connection-thread G	R 1	R 1 1/4	R 2
Connection-thread G1	R 3/4	R 1	R 1 1/2

**Ordering data:****Article****Material No.**

ELADOS® EMP Compact

E60 V3014 PP 10 EP KE PP DN20

141277

E60 V3014 PP 10 EP KE PP DN25

141278

E60 V3025 PP 10 EP KE PP DN40

141279

Extent of supply:

1 contact compact water-meter with screw connection and ready-assembled metering valve, assembled metering pump with connection cable, fixing brackets for water-meter, ready-assembled metering line (approx. 500 mm length) including connecting elements and O-ring seals, 2 m metering line (PE) for use in case of on-wall installation, operating instructions.



Article

Material No.

Suction lance D16 with empty signal report

SGL VCPVFP99GL000-0008-06-1SS-0525-9999

incl. of ball non-return valve, level-pre-warning-contact,
2 m connecting cable with connector and 2 m suction
hose 6/8

Length: 525 mm

Nominal width (pipe): 6 mm

Material

Suction lance: PVC

Valve ball: glass

for chemical reservoir 20/30 l length 525 mm

249222



**Suction lance D16 with double empty signal
report**

incl. of ball non-return valve, suction strainer, level-pre-
warning-contact, zero-potential empty signal contact
(level down = contact interrupted), hose connection
material (4/6 mm, 6/8 mm, 6/12 mm)

Material: PVC

Seals: Viton B

Ball: Glass

Pipe diameter: 16 mm

Suction tube: PE

Connection cable: 3-pole connector incl.
5 m cable

for chemical reservoir 20/30 l length 540 mm

249020

for chemical reservoir 60 l length 750 mm

249021

for chemical reservoir 100 l length 970 mm

249022

for chemical reservoir 200 l length 1125 mm

249023

Article

Material No.



Adapter screw cap

38619003

for suction lance ø 16 mm
can be screwed on 10 l and 20 l canister
Thread pitch: 5 mm
Threaded internal diameter: 50 mm
Threaded external diameter: 55 mm

Adapter screw cap

38619004

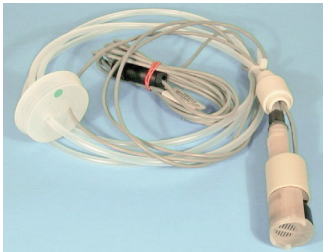
for suction lance ø 16 mm
can be screwed on 60-200 l chemical reservoir
or 30 l canister
Thread pitch: 5 mm
Threaded internal diameter: 56 mm
Threaded external diameter: 61 mm

Adapter cable for EMP II

248201

between empty signal input plug suction lance EMP old
and empty signal input EMP II/III

Suction unit



with floating empty signal contact
(empty = contact interrupted)

consisting of:

Bottom admission valve (PVDF), ceramic weight,
float switch (PVC/PP), 5m connection cable
with 4-pin plug and PE cover dome

Suction unit for 4/6 mm hose

188461

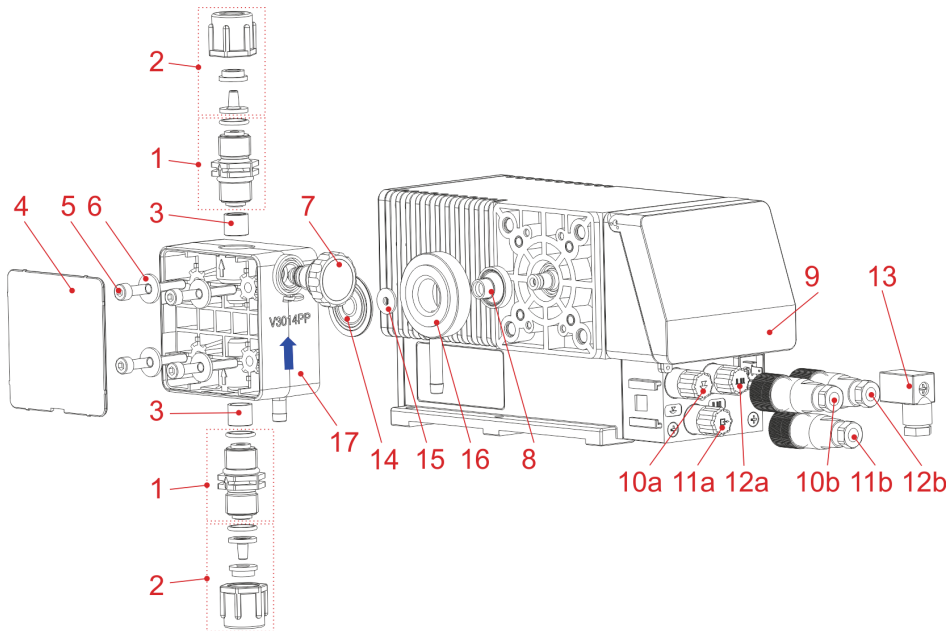
Suction unit for 4/6 mm hose
with "soft sealing"
through O-ring

288461

Spare parts:

Metering pump EMP II, E60, 1.4 l/h (for 141277, 141278)
2.5 l/h (for 141279)

148070
148170



Pos	Article	Material No.
1	SDV PPEPKE 000 G 3/8 - G 3/8 – 99 Suction/pressure valve, PP/EPDM	248116
2	Connection set 3/8" PP for hose 4/6, 6/8, 6/12 mm	248492
3	Valve cartridge, V3 EMP II EPKEPP	248435
4	Cover plate, PK-PP	54000188
5	Hexagon socket screw, M 5 x 40, DIN 912, V2A	413031026
6	Washer, B15 x 5.3 x 1.6, DIN9021, ISO7093, V2A	413501720
7	Venting screw, PP/EPDM	243078
8	Bellow	34800132
9	Transparent enclosure cover	34800120
10a	Dummy plug, empty signal input	248186
11a	Cover cap, control output	34800117
12a	Dummy plug, control input	248187
10b	Plug 4-poles, empty signal input	418463115
11b	Plug 4-poles, control output	418463117
12b	Plug 5-poles, control input	418463118
13	Wiring outlet 3-poles, 2 m	34860001

		type V3014	type V3025
14	Diaphragm	34800134	34800253
15	Supporting disk	34000158	--
16	Intermediate plate	34800133	34800150
17	Pump head PVDF	34800293	34800294



Article

Material-No.

Contact water meter DN 20, G 1, 1 l / pulse
(for 141260)

419901047

Contact water meter DN 25, G 1 ¼, 1 l / pulse
(for 141274)

419901237

Contact water meter DN 40, G 2, 2 l / pulse
(for 141275)

419901238



Contact water meter screw connection

Material:
for contact water meter

Brass
DN 20 (G 1_i – R ¾_a)
DN 25 (G 1¼_i – R 1_a)
DN 40 (G 2_i – R 1½_a)

415506343
415506344
415506349



**Contact water meter screw connection
with hole R 1/4 for metering valve**

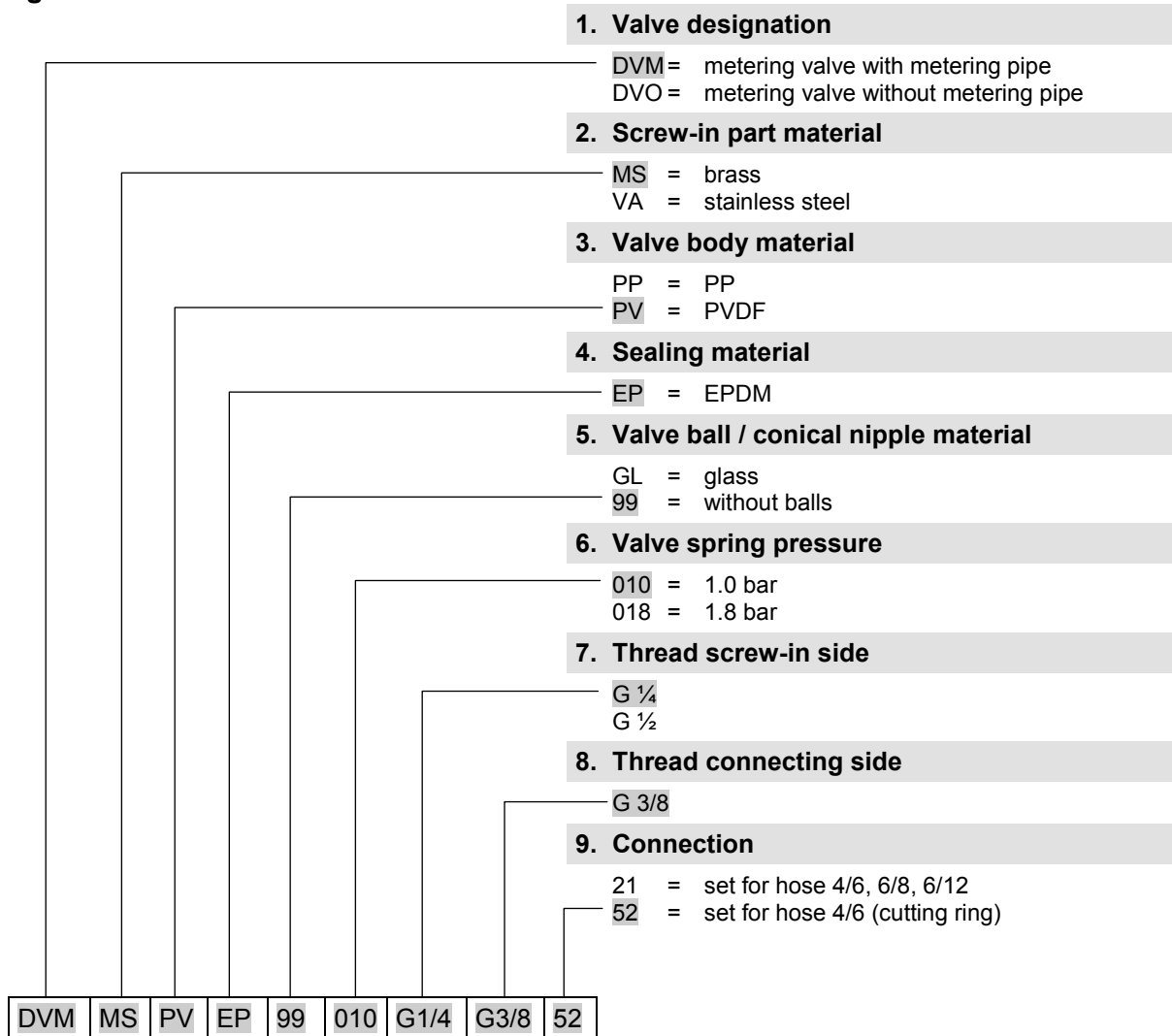
Material:
for contact water meter

Brass
DN 20 (G 1_i – R ¾_a)
DN 25 (G 1¼_i – R 1_a)
DN 40 (G 2_i – R 1½_a)

415506331
415506332
415506334

	Article	Material-No.
	<p>Mounting bracket (for 141277)</p> <p>Mounting bracket MS Washer 5.5 x 10 x 1, V2A Hexagon nut M5, V2A</p>	<p>34800307 413500360 413200007</p>
	<p>Pipe clamps (for 141278)</p> <p>Pipe clamp D40 – 45 mm, M8, V2A Pipe clamp D48 – 52 mm, M8, V2A</p>	<p>415014026 415014027</p>
	<p>Pipe clamps (for 141279)</p> <p>Pipe clamp D48 – 52 mm, M8, V2A Spacer bolt</p>	<p>415014027 413502501</p>
	<p>Brackets</p> <p>Mounting / Wall bracket (for 141277) Mounting plate (for 141278, 141279), VA 1.4301</p>	<p>34800306 34127701</p>
	<p>Wall bracket (for EMP II pump), PP</p>	<p>207002</p>

Metering valves - code

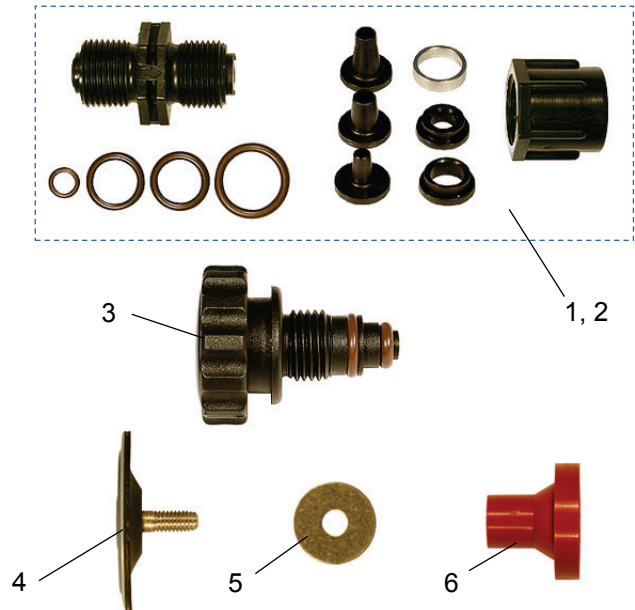


Article	Material-No.
DVM MS PV EP 99 010 G 1/4 – G 3/8 – 52 (for 141277)	243016
DVM VA PP EP GL 018 G 1/4 – G 3/8 – 21 (for 141277 and 141278)	248053

Set of wearing parts (complete)

consisting of 1 piece each:

- Suction valve with hose connection material (1)
- Pressure valve with hose connection material (2)
- Venting screw (3)
- Diaphragms (4)
- Supporting ring (5, not for type V3025)
- Bellow (6)



Article	Code	Material-No.
Wearing part set	EMP II V3014PPEPKE	248462
	EMP II V3025PPEPKE	248471

