

- **Precise metering by the powerful diaphragm metering principle**
- **Low maintenance and abrasion**
- **Available in 2 different materials**
- **Economical, simple and reliable**
- **Cost-effective alternative to peristaltic pump**
- **Simple assembly by „Click & Fix“**
- **Batch assembly of several Turbopumps is possible**



The metering pump series TurboPUMP is a range of electric motor-driven membrane metering pumps mounted in a free discharge point, suitable for use with uncontaminated, non-abrasive dosing media.

An asynchronous motor acts as a drive which has an integrated fan for better cooling. An additionally

installed thermal protection switch switches the pump off in the case of overheating and switches it back on again after a certain cooling phase.

A built-in spring actuator ensures a low noise level and extends the working life of the pump.

## Technical data:

### General data:

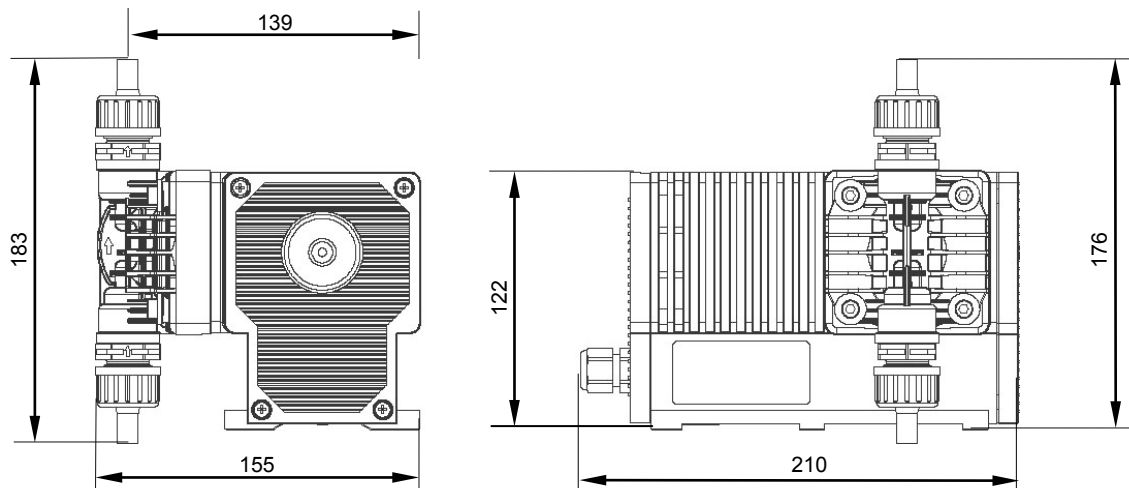
Type / Material no.	107020 / 107030	1070 / 107010
Pump capacity:	20 l/h	50 l/h
Metering back pressure:	max. 2 bar (0.2 MPa)	
Suction height:	2 m (Ws)	
Rotational speed max:	125 1/min	
Ambient temperature max:	40° C	
Duty cycle:	25 % ED	
Connections:	Ø 10 / 16 mm	
Power supply:	230 V / 50 Hz	
Current consumption:	2 A	

### Material:

Typ / Materialnr.	1070 / 107020	107010 / 107030
Housing:	Thermoplastic polyester	
Pump head:	PP	PVDF
Diaphragm:	PTFE – EPDM compound diaphragm	
Valve body:	PP	PVDF
Valve balls:	Ceramics	
Valve spring:	Hastelloy C4	
Seals:	EPDM	FPM 602 (Viton B)
Weight:	2.4 kg	
Color:	blue RAL 5007	

All values at 50 Hz. With reservations, all data refer to water temperature of 20° C according to the instructions of the technical manual.

### Dimensions:

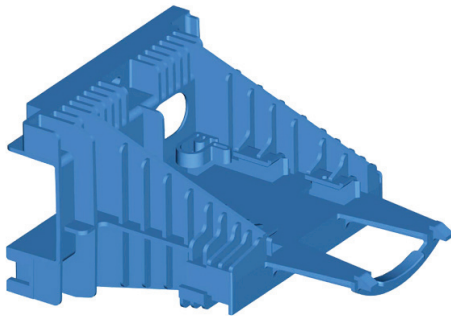


## Ordering data:

Article	Version	Material No.
Turbopump	20 l/h, PP / EPDM	107020
	20 l/h, PVDF / FPM 602	107030
	50 l/h, PP / EPDM	1070
	50 l/h, PVDF / FPM 602	107010

**Extent of supply:** Connector cable (2.40 m)  
Hose connection material 10/16 mm  
Operating instructions

## Accessories:



Article	Material No.
---------	--------------

<b>Wall bracket</b> including fastening screws and dowels	207002
--	--------

A number of consoles can be connected together for mounting in a row.

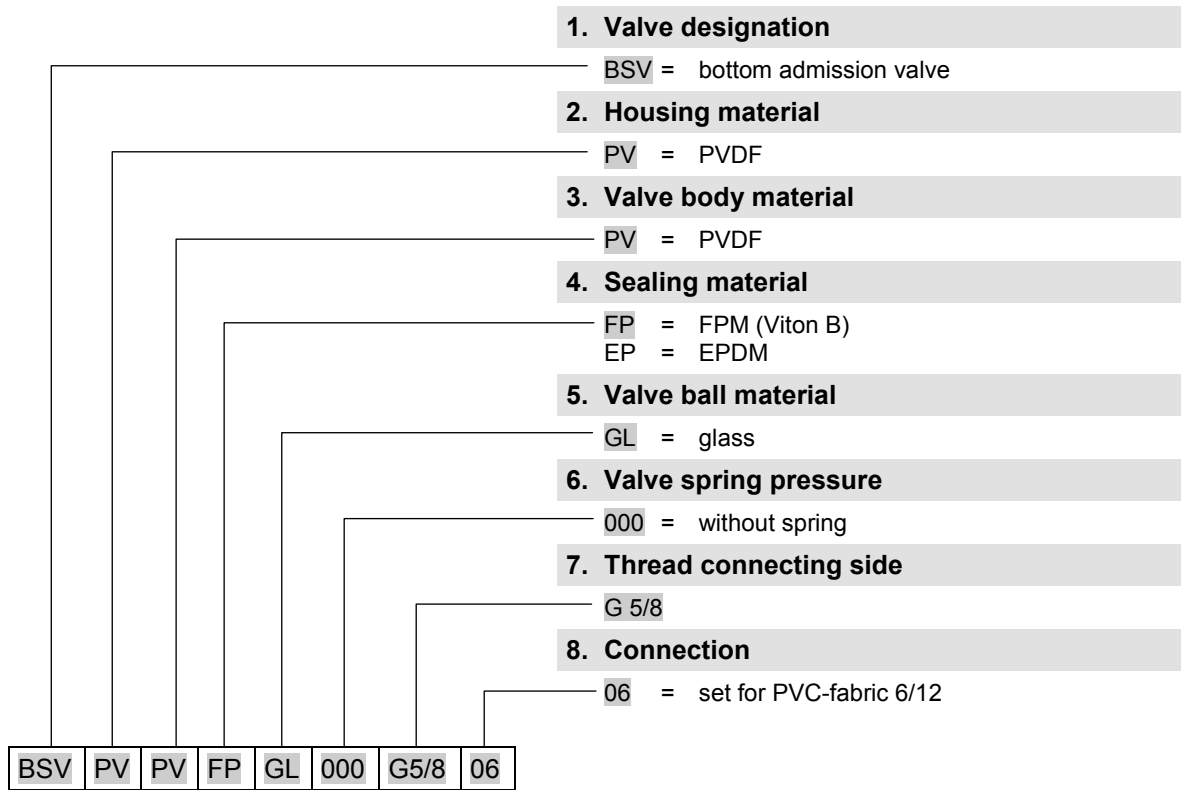


<b>Hose</b> PVC-fabric di10x3 (10/16 mm) available by the metre	417400126
---	-----------

**Note:** We explicitly point out that PVC fabric tubes have a limited lifetime if alkaline chemicals will be used. To avoid damage for your staff and your company the tubes have to be exchanged at least every 6 months. In case of non-compliance we exclude all kinds of liability and responsibility.



**Bottom admission valve**



**Article**

**Material-No.**

BSV PV PV FP GL 000 G 5/8 – 06

249018

BSV PV PV EP GL 000 G 5/8 – 06

249024

Connection material for hose 10/16 mm:



**Tapered part**

38610415

PVDF for inner Ø 10 - 5/8"



**Clamping piece**

38610409

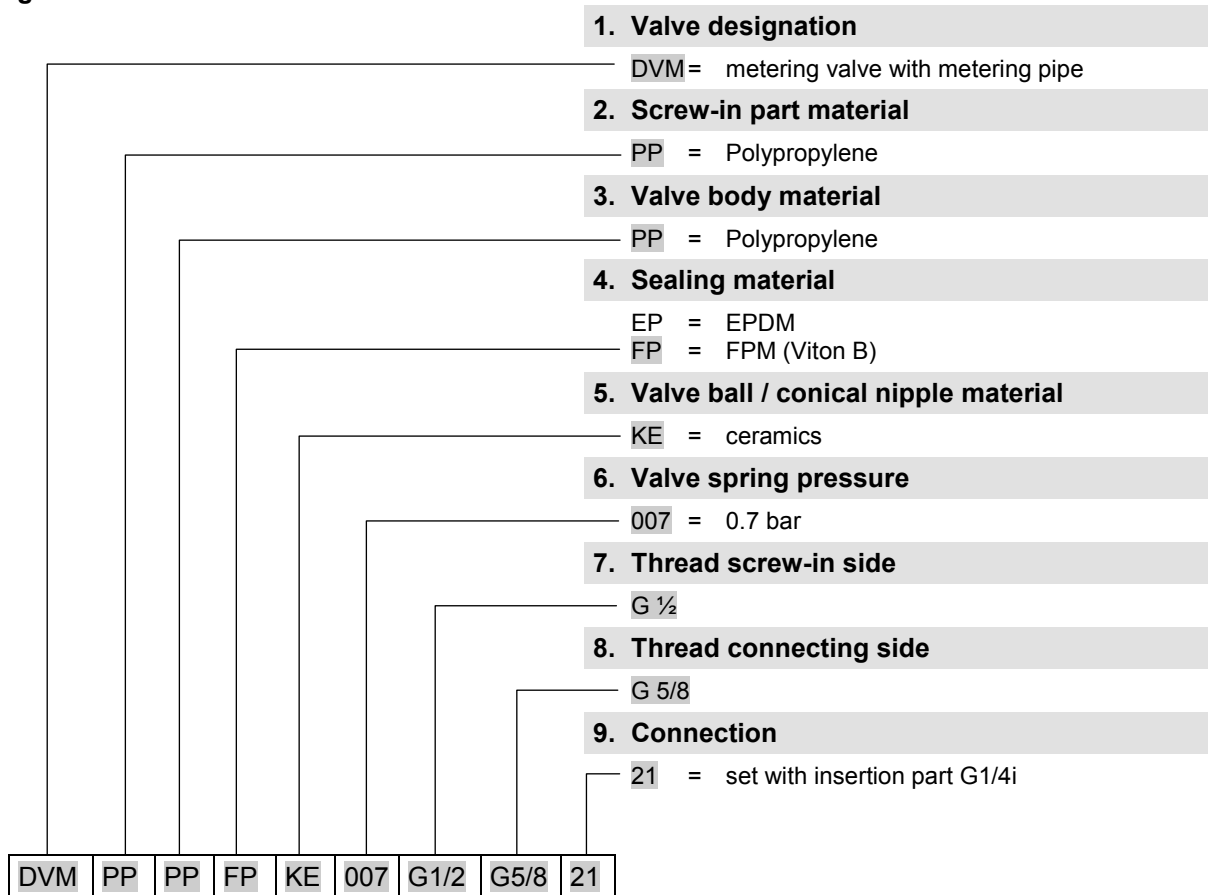
1.4571 for outer Ø 16 - 5/8"

**Union nut and connection parts for hose 6/12 mm**

included in delivery of bottom admission valve



**Metering valves**



**Article**

**Material-No.**

DVM PP PP FP KE G 1/2 – G 5/8 – 21	245040
DVM PP PP EP KE G 1/2 – G 5/8 – 21	245041

Connection material for hose 10/16 mm:



**Tapered part**

38610416

PP for inner Ø 10 - 5/8"



**Clamping piece**

38610409

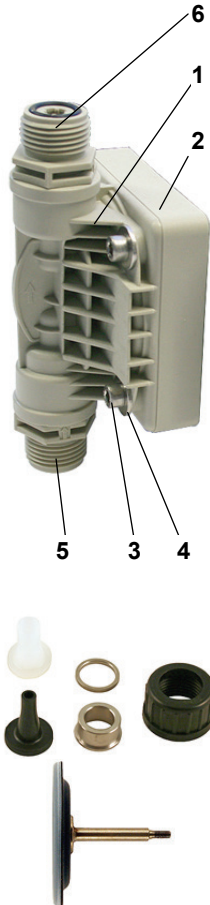
1.4571 for outer Ø 16 - 5/8"

**Union nut and connection parts for hose 6/12 mm**

included in delivery of metering valve



**Spare parts:**



<b>Article</b>	<b>Material No.</b>
<b>Pump head (1)</b>	
Pump head 20 / 50 l/h, PP	30700102
Pump head 20 / 50 l/h, PVDF	30700107
<b>Intermediate plate (2)</b>	
20 / 50 l/h, Noryl	30700101
<b>Hexagon head screw (3)</b>	
M5 x 35 DIN 912 V2A (4 pieces required)	413031025
<b>Washer (4)</b>	
B15x5.3x1.6 DIN9021 ISO7093 V2A (4 pieces required)	413501720
<b>Suction valve (5)</b>	
Suction valve PP / EPDM	
SAV PPEPKE000 G5/8-G5/8-99	249473
Suction valve PVDF / FPM	
SAV PVFPKE000 G5/8-G5/8-99	249474
<b>Pressure valve (6)</b>	
Pressure valve PP / EPDM	
DRV PPEPKE000 G5/8-G5/8-99	249493
Pressure valve PVDF / FPM	
DRV PVFPKE000 G5/8-G5/8-99	249494
<b>Connection set</b>	
Connection set PP G5/8i – hose 6/12,10/16	249237
Connection set PVDF G5/8i – hose 6/12,10/16	249216
<b>Diaphragm</b>	
Diaphragm	
EPDM / PTFE / 1.4305	30700104



**Suction valves and pressure valves**

